

SPECIFICATIONS

GENERAL:

The surface drainage system shall be 6000 PLUS-R Series FoodSafe Slot Drain complete with slotted linear trench opening as manufactured by FoodSafe Drains.

MATERIALS:

T304 Stainless Steel, T316 Stainless Steel,

SLOPE:

0.5% Standard

DESIGN OPTIONS:

Material (\$): SS 304(5), SS 316(6)
 Slot Opening (#): 13mm (0), 25mm (1), 32mm (5)
 End (*): Open (0), End Cap (1), Flush Nipple (5)
 Section Lengths: Full 2.946m, Half 1.473m
 Custom Lengths available

FLOW RATE:

13mm 42 lpm (per 30 cm of drain)
 25mm 68 lpm (per 30 cm of drain)
 32mm 102 lpm (per 30 cm of drain)

LOAD CLASS:

Load Class E

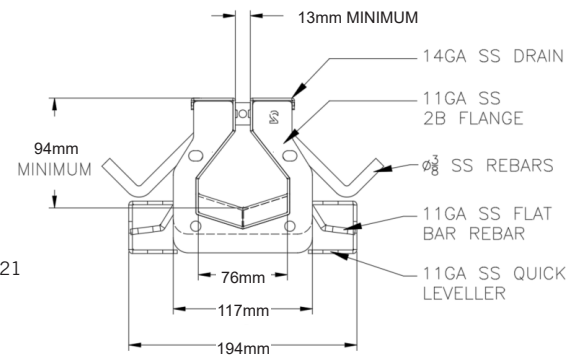
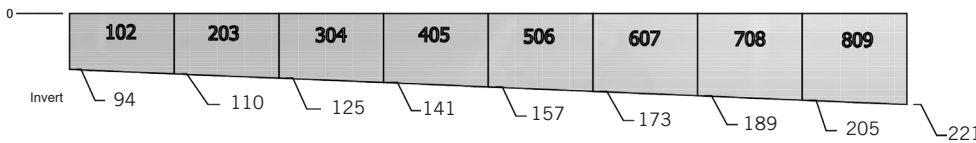
ACCESSORIES:

Cleaning paddle, Cleaning Brush, Flush Flo, CIP, Slot Hog, Tri-Clamp

INSTALLATION:

The 6000 PLUS-R Series FoodSafe Slot Drain shall be installed in accordance with the manufacturer's installation instructions and recommendations.

TYPICAL MODULAR LAYOUT OF A 6000 PLUS-R SERIES FOODSAFE SLOT DRAIN®
 (Sections fit together as illustrated below)



DRAIN CHANNELS

DESCRIPTION	PART NO.	INVERT SHALLOW MM	INVERT DEEP MM
6000 PLUS-R SERIES SS SLOT 102 HALF	SD6\$*#PR-102B	102	110
6000 PLUS-R SERIES SS SLOT 102	SD6\$*#PR-102	94	110
6000 PLUS-R SERIES SS SLOT 203	SD6\$*#PR-203	110	125
6000 PLUS-R SERIES SS SLOT 304	SD6\$*#PR-304	125	141
6000 PLUS-R SERIES SS SLOT 405	SD6\$*#PR-405	141	157
6000 PLUS-R SERIES SS SLOT 506	SD6\$*#PR-506	157	173
6000 PLUS-R SERIES SS SLOT 607	SD6\$*#PR-607	173	189
6000 PLUS-R SERIES SS SLOT 708	SD6\$*#PR-708	189	205
6000 PLUS-R SERIES SS SLOT 809	SD6\$*#PR-809	205	221
6000 PLUS-R SERIES SS SLOT 9010	SD6\$*#PR-9010	221	237
6000 PLUS-R SERIES SS SLOT 10011	SD6\$*#PR-10011	237	252

NOTE:

Also available with 90° sections, 'T' sections, and Transition Pits for all of the depths specified above.

CATCH BASIN LID: STANDARD, TRI-CLAMP OPTIONS ARE AVAILABLE AND STRAINER IS PART OF THE CATCH BASIN

DESCRIPTION	TOP WIDTH MM	TOP LENGTH MM	BOTTOM WIDTH MM	BOTTOM LENGTH MM	HEIGHT MM	OUTLET SIZE MM
6000P SS CB SMALL	152	152	152	152	305	102 or 152.4
6000P SS CB MEDIUM	152	305	152	305	305	102 or 152.4
6000P SS CB LARGE	305	305	305	305	305 or 508	102 or 152.4

SPECIFYING ENGINEER IS RESPONSIBLE FOR CONCRETE ENCASEMENT AND REINFORCING BASED UPON APPLICATION AND LOCAL CODES.
 FOODSAFE DRAINS RESERVES THE RIGHT TO CHANGE THE PRODUCT AND SPECIFICATIONS WITHOUT NOTICE